



Features & Benefits

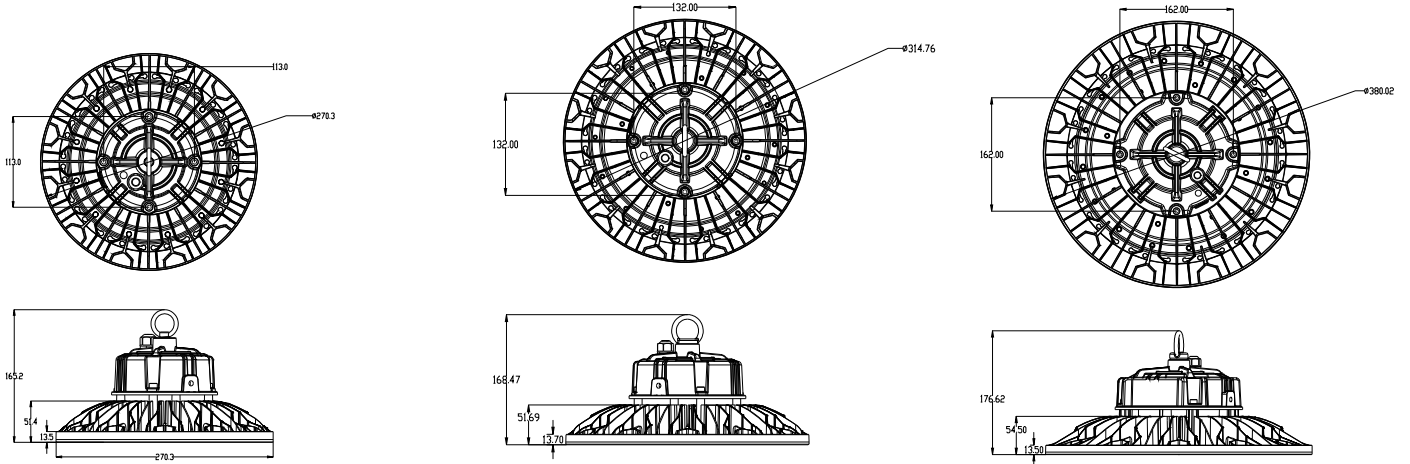
1. High performance and reputable brand led chips and driver
2. Clear polycarbonate lens with no risk of lamp breaking for safe industry applications
3. Optimized aluminum alloy housing design for superior thermal management
4. Instant light up with no warm up time
5. No cool down needed before restart
6. High mechanical impact resistance and ingress protection rating
7. Compact in size and easy for transportation

Options

1. Safety rope
2. 1-10V Dimming
3. 60/90/110 degree lens
4. Adjustable mounting bracket



Dimensions

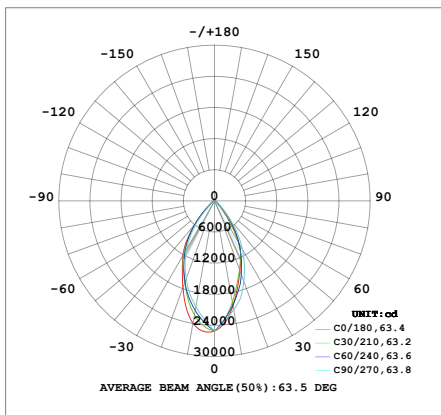


100-150W

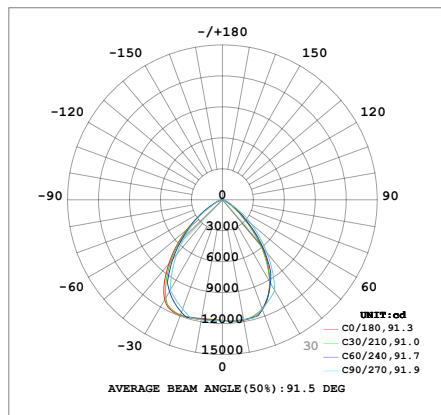
200W

240W

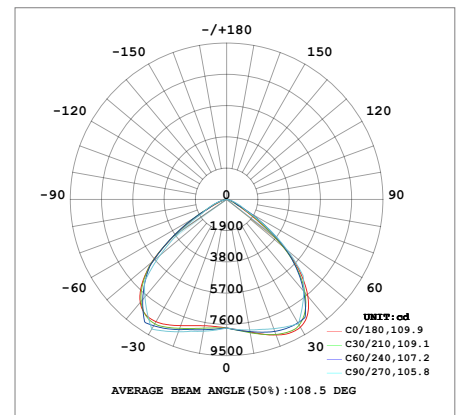
Photometry



60°



90°



110°

Specifications

- Power Consumption: 100-240W
- Luminous Flux: 14,000lm to 36,000lm
- Input Voltage: 100-277V~
- Color Temperature: 2700-6500K
- IP and IK Rating: IP65 and IK08
- Colour Rendering Index (Ra): 80+
- L70 lumen maintenance: >50,000 hours
- Power factor: >0.95
- Warranty: 5 years
- Operation Temperature Range: -30°C to +50°C

Ordering Information

| Part No | Power | CCT | Flux | Dimming | Diameter | Height | Beam Angle |
|---------------|-------|------------|-----------------|---------|----------|--------|------------|
| ISL-UFO-B100W | 100W | 2700-6500K | 14,000-15,000lm | NO | 270mm | 165mm | 60/90/110° |
| ISL-UFO-B150W | 150W | 2700-6500K | 21,000-22,500lm | NO | 270mm | 165mm | 60/90/110° |
| ISL-UFO-B200W | 200W | 2700-6500K | 28,000-30,000lm | NO | 315mm | 168mm | 60/90/110° |
| ISL-UFO-B240W | 240W | 2700-6500K | 33,600-36,000lm | NO | 380mm | 176mm | 60/90/110° |

| Model | Carton Size | N.W | G.W | QTY |
|---------------|---------------|--------|--------|------|
| ISL-UFO-B100W | 323*320*165mm | 2.35KG | 3KG | 1PCS |
| ISL-UFO-B150W | 323*320*165mm | 2.35KG | 3.05KG | 1PCS |
| ISL-UFO-B200W | 373*370*175mm | 3.52KG | 4KG | 1PCS |
| ISL-UFO-B240W | 400*400*210mm | 4.2KG | 5KG | 1PCS |

Telephone: +86-0755-29815402

Email: info@ishinelux.com